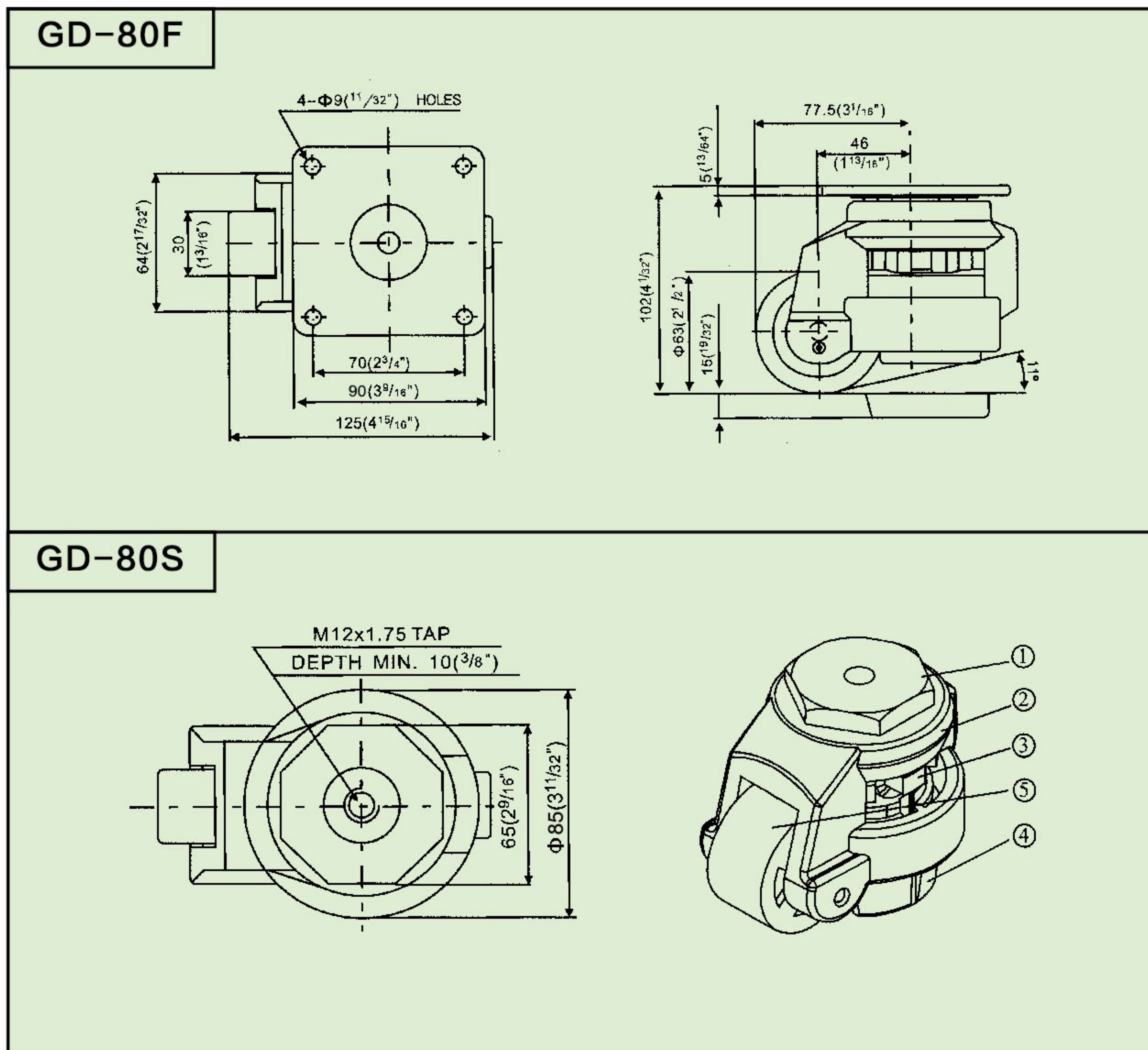




GD-80F



GD-80S

型号 Item No.		材质 Material						
<b>GD-80F</b>		① 安装底座：碳钢冲压      ④ 支撑底座：NBR ② 壳体：铝制                      ⑤ 轮子：尼龙6 ③ 手把：尼龙6                      表面处理：喷涂&镀锌						
Item No. (型号)	Recommended load/4pcs (四轮承载)	Load capacity /pce (单轮承载)				F Type		
	Kg	Kg	mm	mm	mm			
GD-80F	1000	500	125	77.5	102+15	90x90	70x70	9

型号 Item No.		材质 Material						
<b>GD-80S</b>		① 安装底座：碳钢锻造      ④ 支撑底座：NBR ② 壳体：铝制                      ⑤ 轮子：尼龙6 ③ 手把：尼龙6                      表面处理：喷涂&镀锌						
Item No. (型号)	Recommended load/4pcs (四轮承载)	Load capacity /pce (单轮承载)				S Type		
	Kg	Kg	mm	mm	mm			
GD-80S	1000	500	125	77.5	102+15	M12	15	